

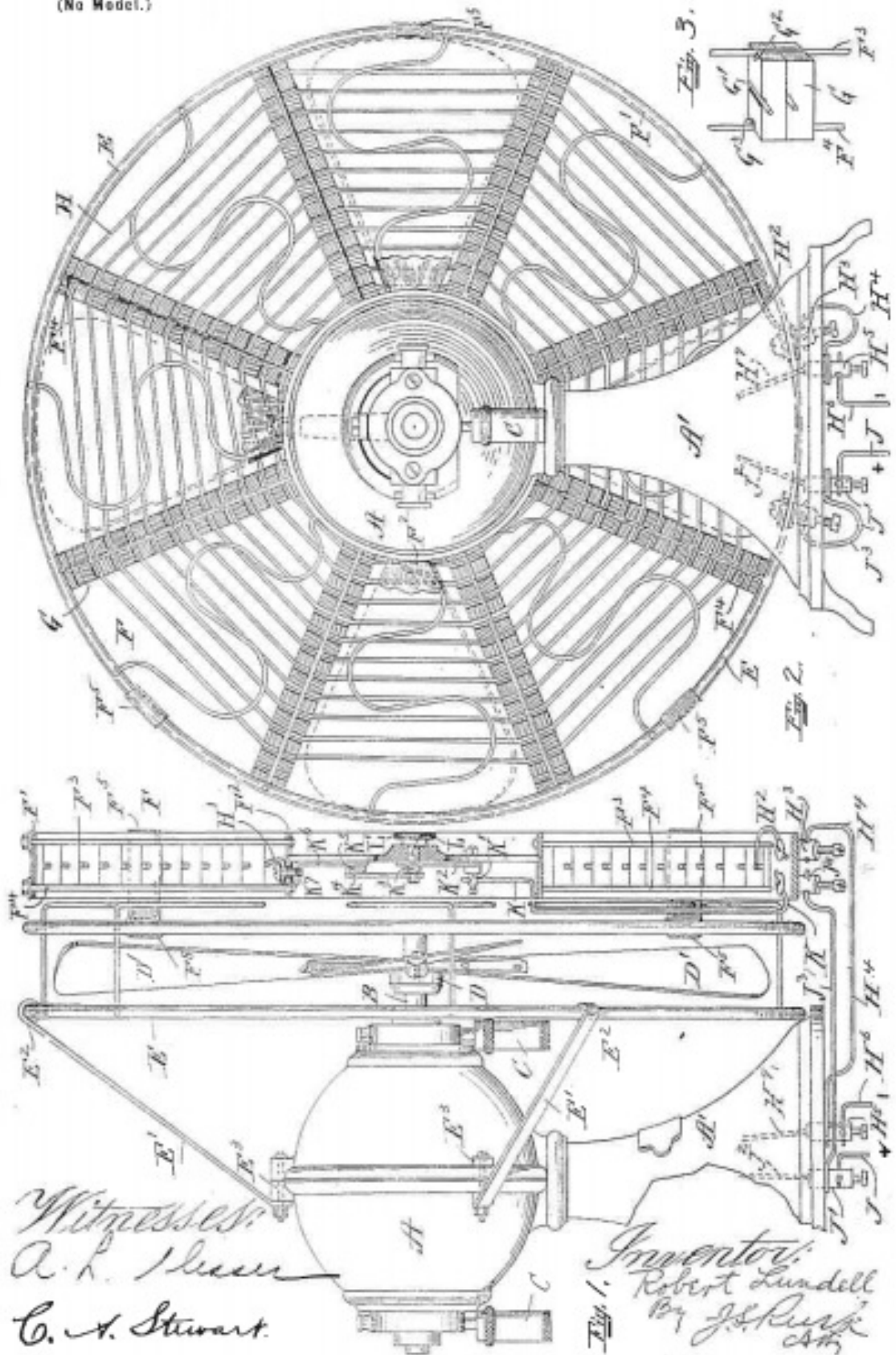
No. 640,143.

Patented Dec. 26, 1899.

R. LUNDELL.
ELECTRIC HEATER.

(Application filed May 24, 1896.)

(No Model.)



Witnesses:
 A. L. [Signature]
 C. A. Stewart.

Inventor:
 Robert Lundell
 By J. S. [Signature]
 C.A.T.

(No Model.)

M. W. DEWEY,
ELECTRIC HEATING APPARATUS.

No. 449,404.

Patented Mar. 31, 1891.

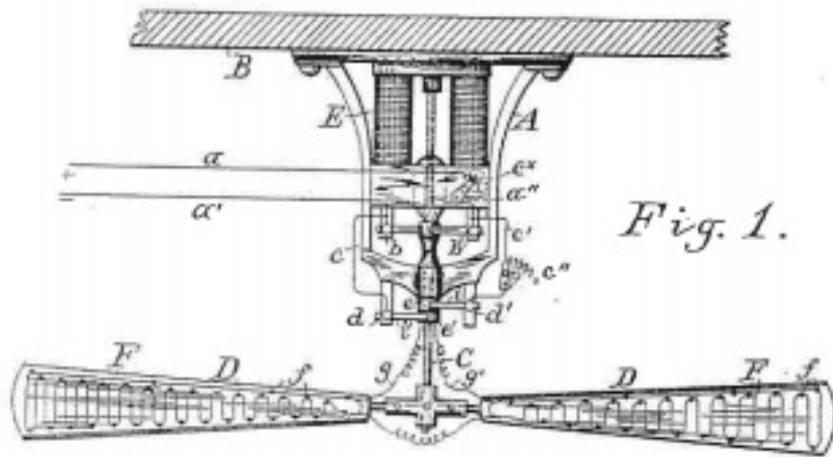


Fig. 1.

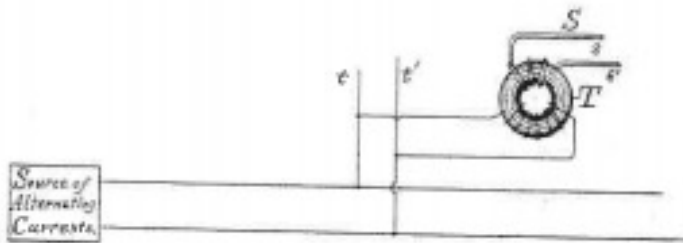


Fig. 2.

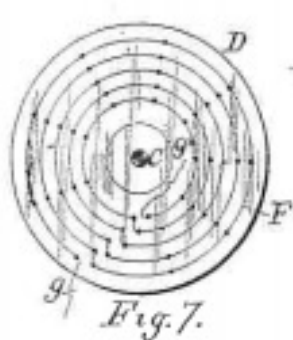


Fig. 7.

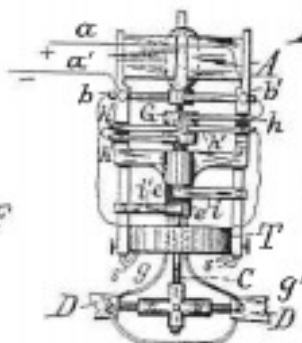


Fig. 3.

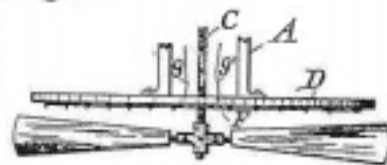


Fig. 8.



Fig. 4.

Fig. 5.

WITNESSES:
J. J. Laess
J. M. Seaman

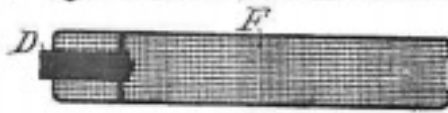


Fig. 6.

INVENTOR,
Mark W. Dewey,
BY
Quell, Laess & Quell,
his ATTORNEYS.

No. 614,275.

Patented Nov. 15, 1898.

E. F. PORTER.

APPARATUS FOR HEATING AND AGITATING AIR.

(Application filed Dec. 27, 1897.)

(No Model.)

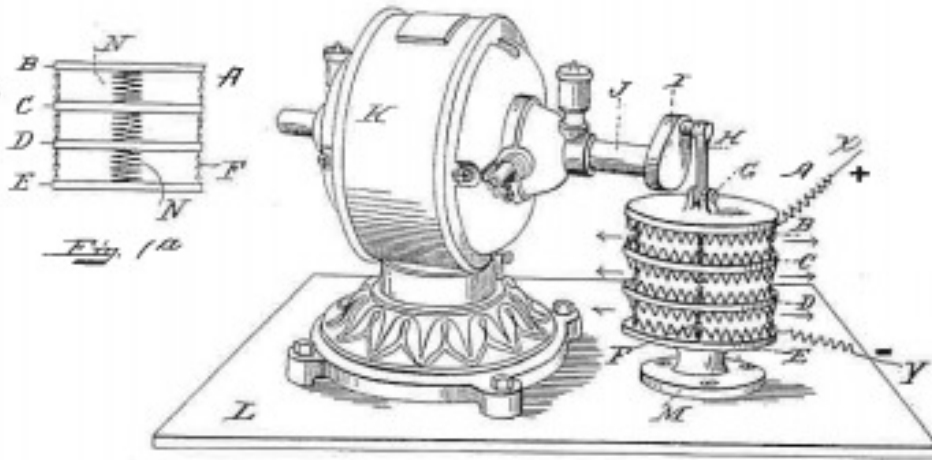


Fig. 1.

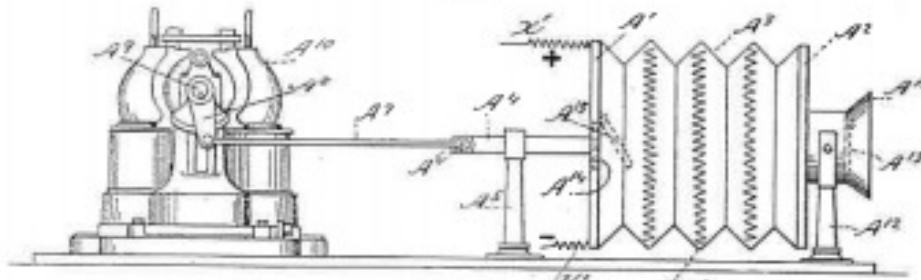


Fig. 2.

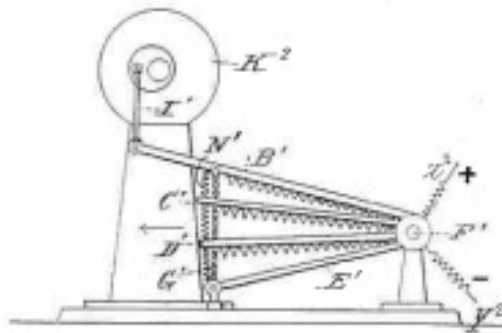


Fig. 3.

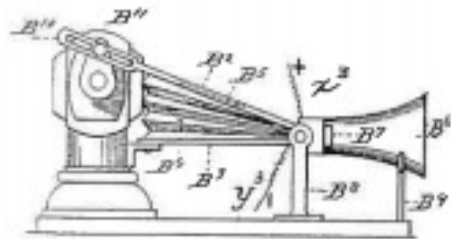


Fig. 4.

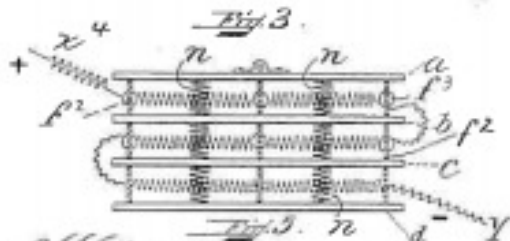


Fig. 5.



Fig. 6.

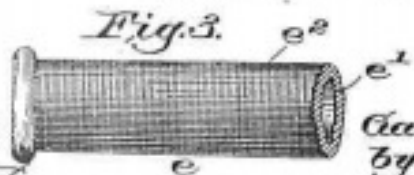
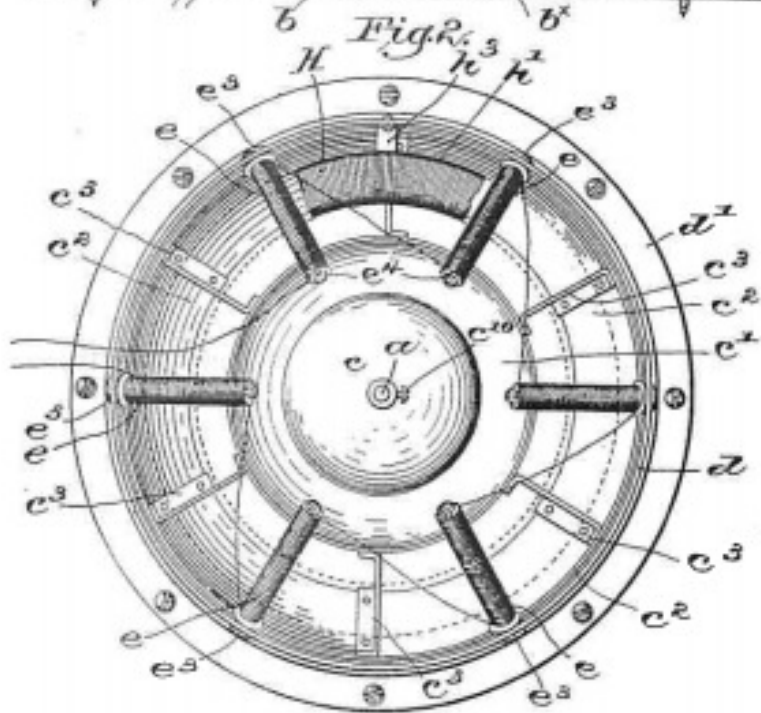
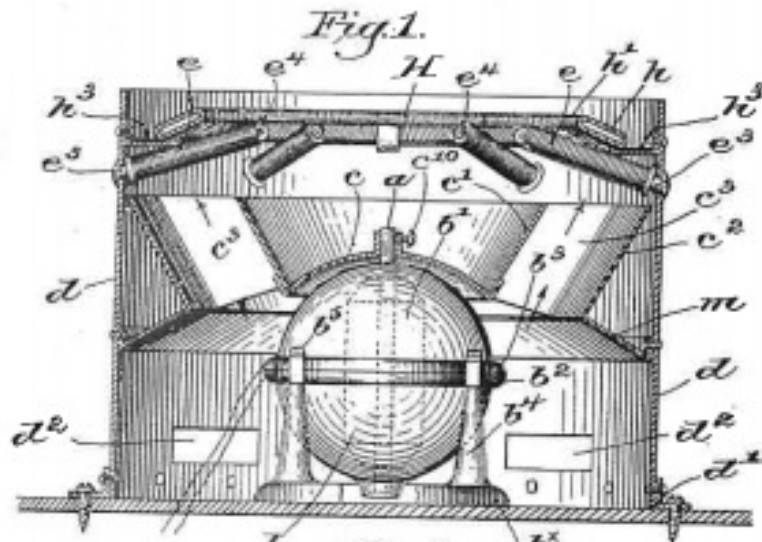
Witnesses:
 C. J. Stewart
 A. R. Messer

Inventor:
 Edwin F. Porter
 By J. H. Knap

G. C. HAWKINS.
ELECTRIC HEATER.

(Application filed Mar. 13, 1899.)

(No Model.)



Witnesses:
Thomas Drummond,
James M. Wigham.

Inventor:
Gardner C. Hawkins,
By Masby & Mason,
Attys.

No. 676,949.

Patented June 25, 1901.

G. C. HAWKINS.
ELECTRIC HEATER.

(Application filed Sept. 20, 1898.)

2 Sheets—Sheet 1.

(No Model.)

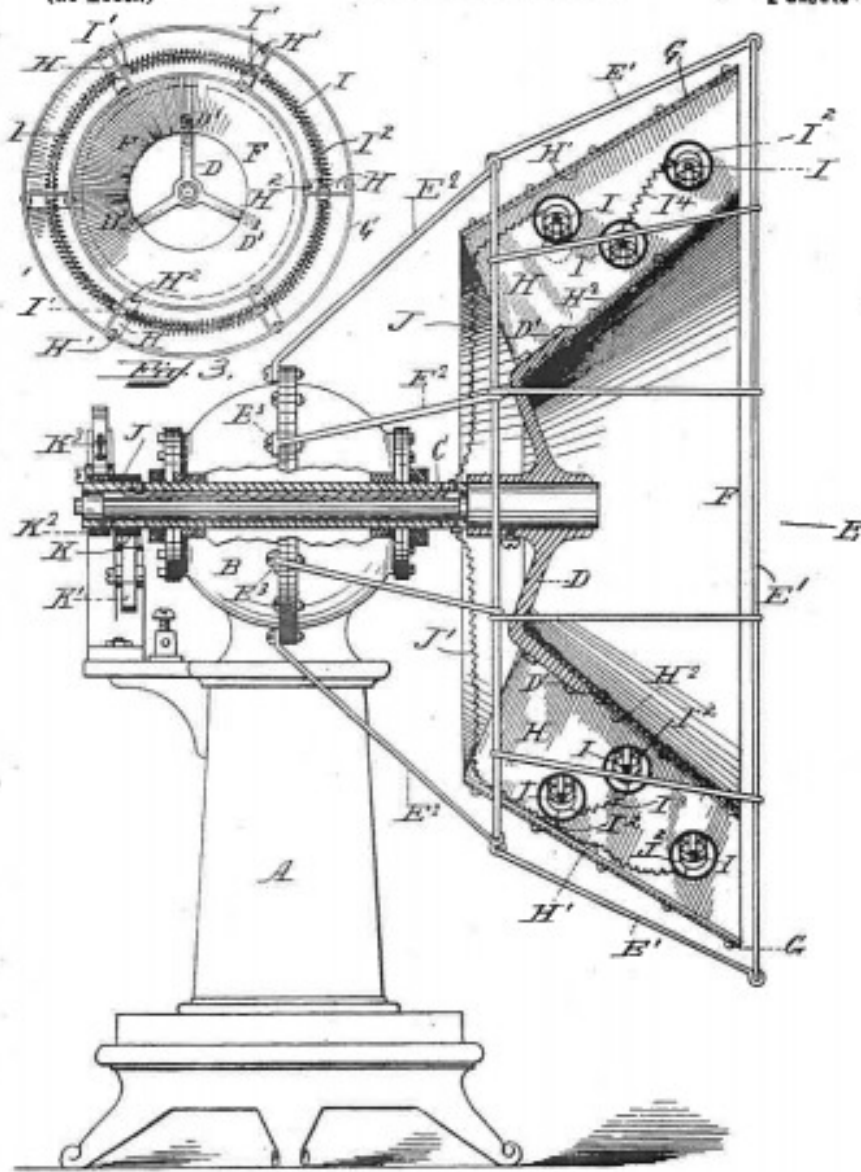


Fig. 1.

Witnessed
A. R. Nussler
C. A. Stewart

Inventor:
Gardner C. Hawkins
By J. H. Rush
Att'y

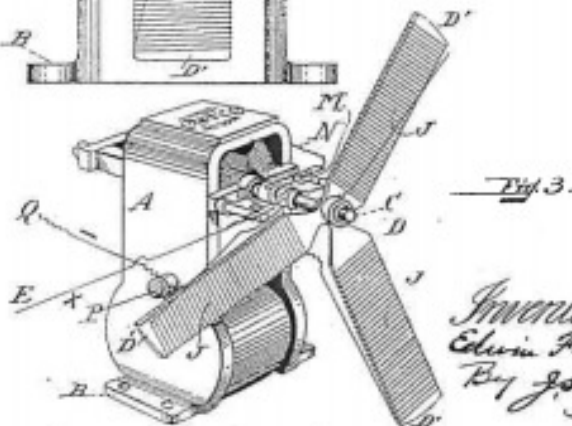
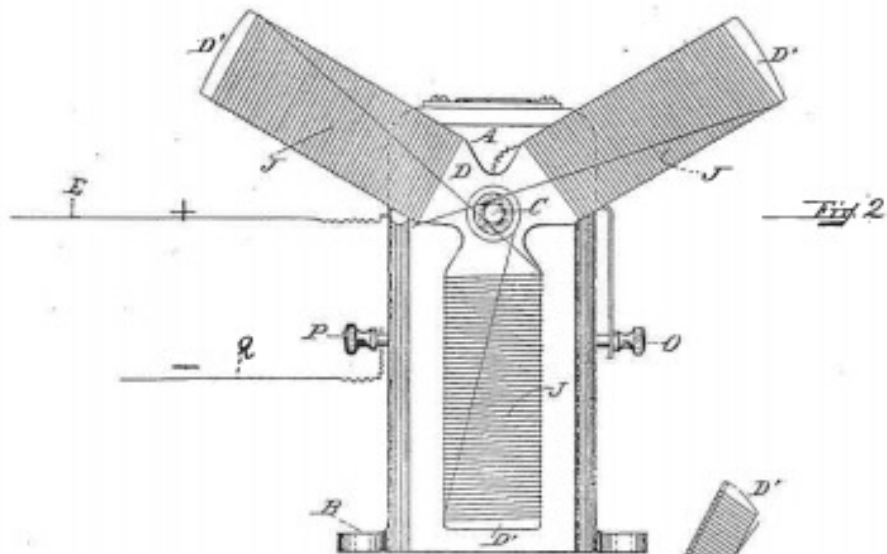
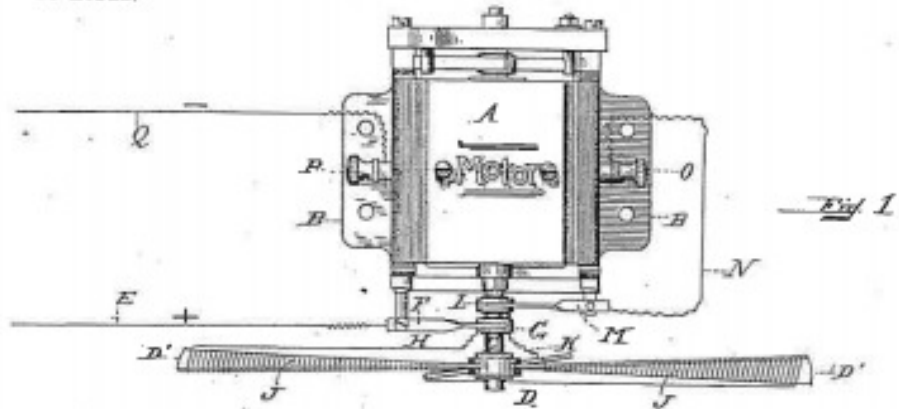
BEST AVAILABLE COP

No. 761,250.

PATENTED MAY 31, 1904.

E. F. PORTER.
ELECTRIC HEATER.
APPLICATION FILED OCT. 17, 1898.

NO MODEL.



Witnesses:
A. L. Messer
C. A. Stewart

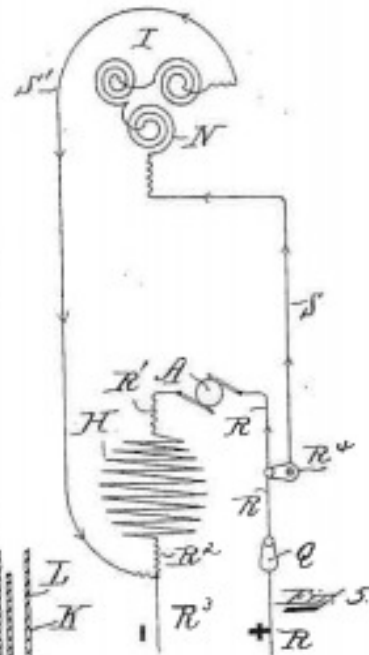
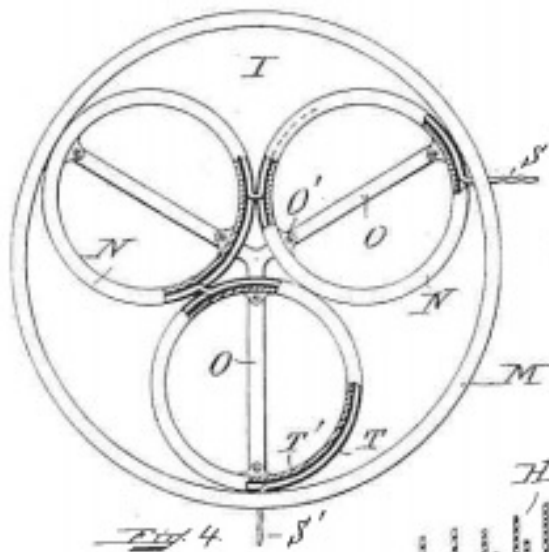
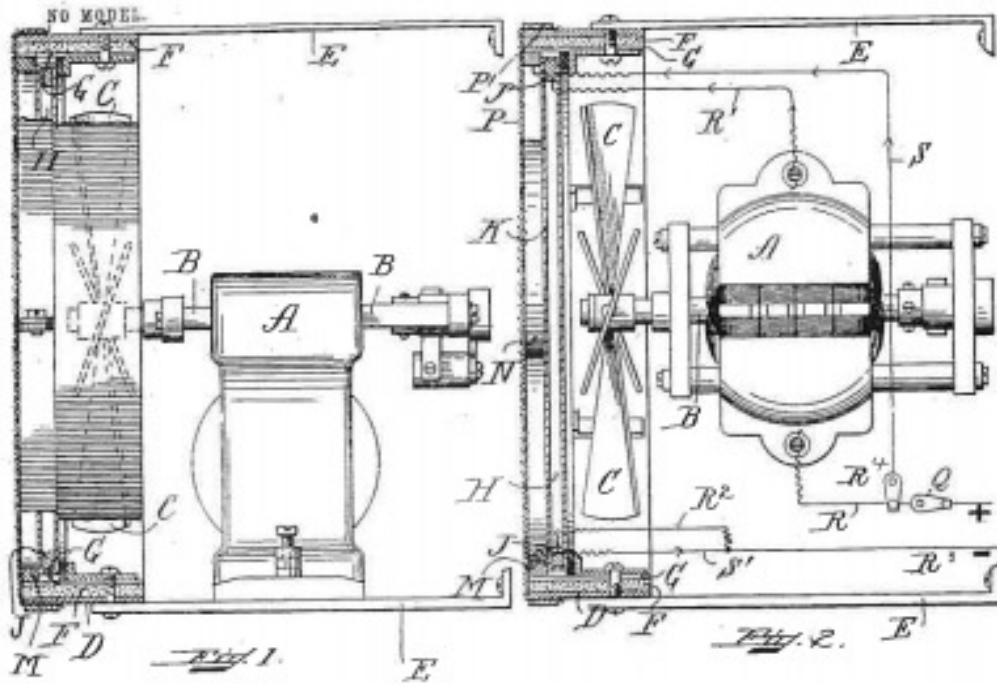
Inventor:
Edwin F. Porter
By J. G. Rush
Att'y

No. 741,927.

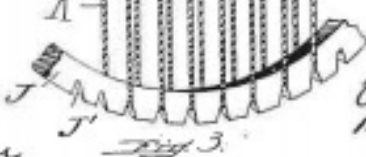
PATENTED OCT. 20, 1903.

E. F. PORTER.
ELECTRIC HEATER.

APPLICATION FILED JAN. 21, 1899.



Witnesses:
A. L. Mear
V. M. Mac Lellan



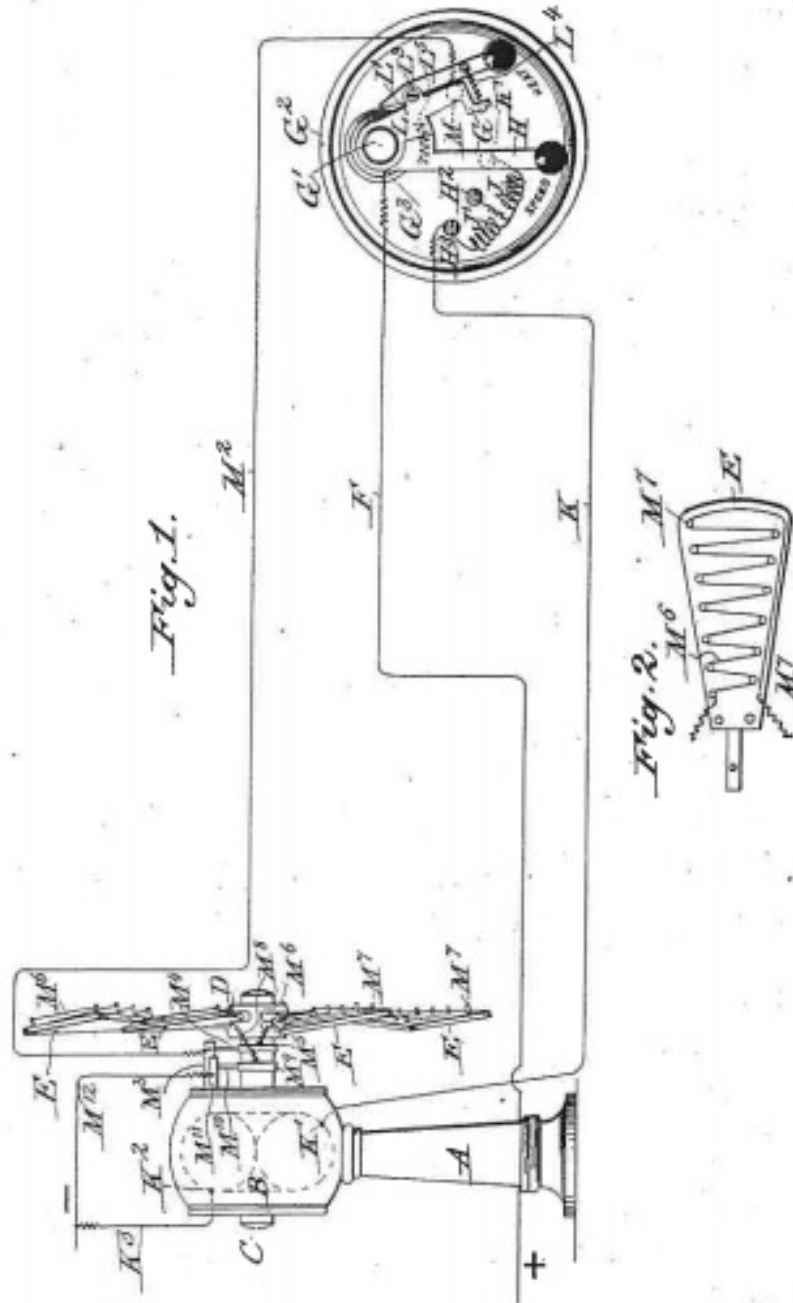
Inventor:
E. F. Porter
By J. H. Bush
Att'y

E. F. PORTER.
ELECTRIC HEATER.

APPLICATION FILED FEB. 9, 1900.

NO MODEL.

3 SHEETS—SHEET 1.



Witnesses
Ad. Nesser
C. A. Stewart.

Inventor
Edwin F. Porter
 By *J. Skusk*
 Attorney

No. 684,459.

Patented Oct. 15, 1901.

E. F. PORTER.
ELECTRIC HEATER.

(Application filed Jan. 22, 1898.)

(No Model.)

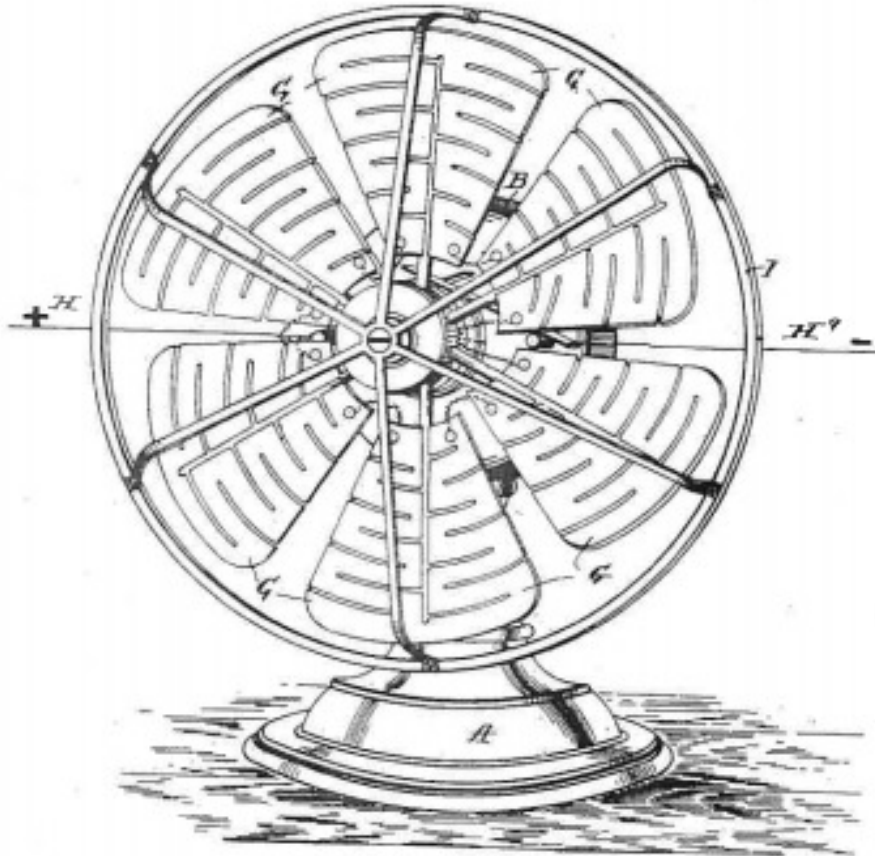


Fig. 1.

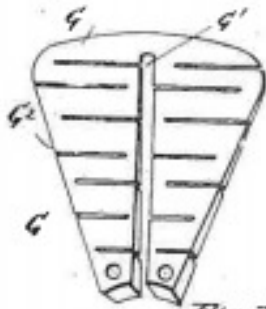


Fig. 2.

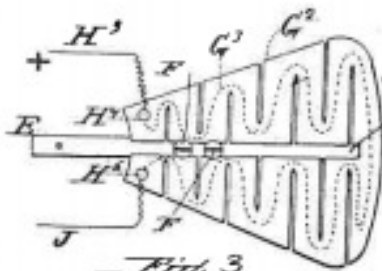


Fig. 3.

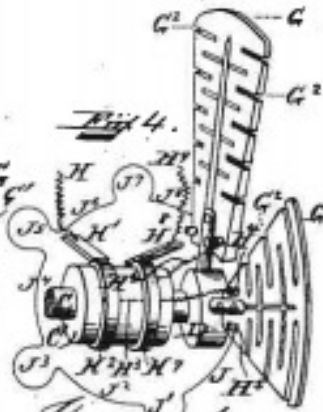


Fig. 4.

Witnesses:
A. L. Merwin
C. A. Stewart

Inventor:
Edwin F. Porter,
By J. S. Rusk,
Att'y.

No. 745,507.

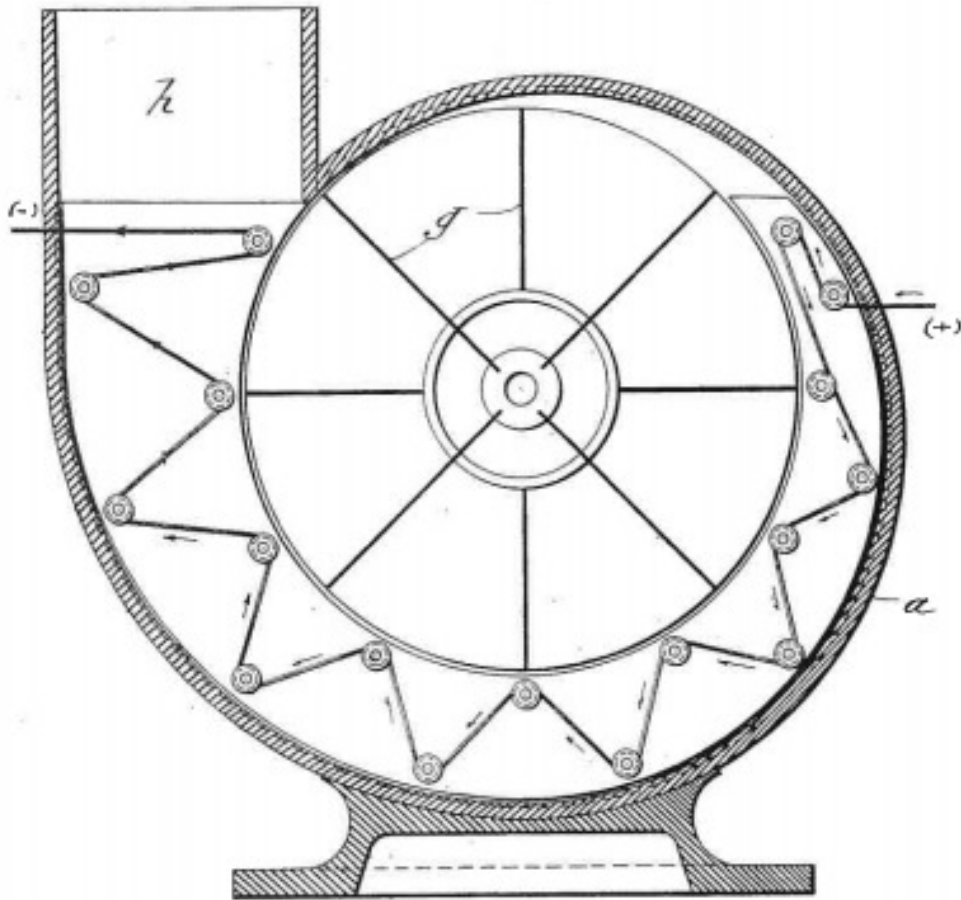
PATENTED DEC. 1, 1903.

F. DE MARE.
ELECTROTHERMIC VENTILATOR.
APPLICATION FILED JUNE 18, 1902.

NO MODEL.

2 SHEETS—SHEET 1.

Fig. 1.



Witnesses:
S. Waldman
E. Kamisch

Inventor
Frédéric de Mare
per *J. Singer*
Attorney

A. I. D. KYLE.
HEATER.

APPLICATION FILED APR. 14, 1908

Fig. 1.

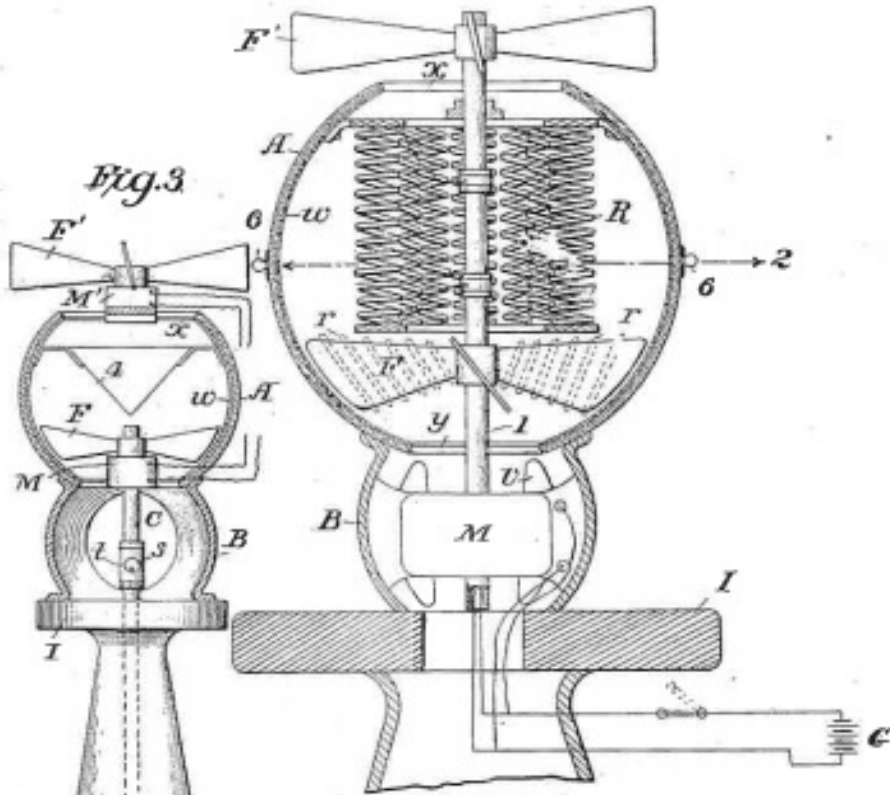


Fig. 3.

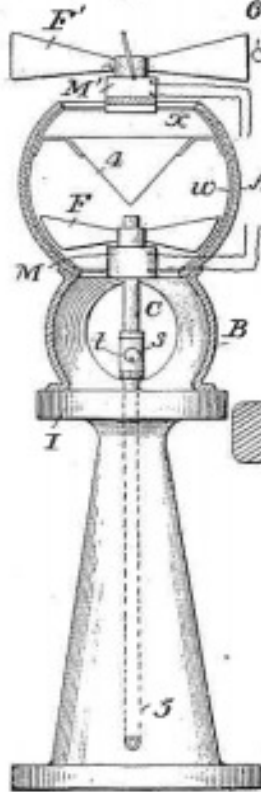
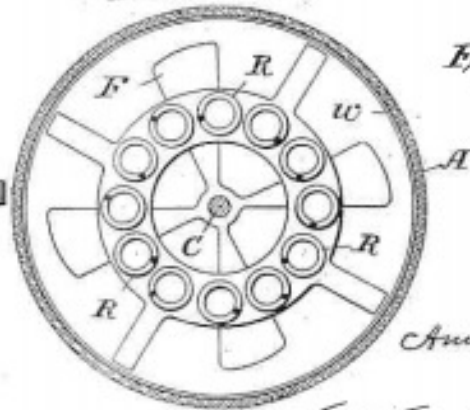


Fig. 2.

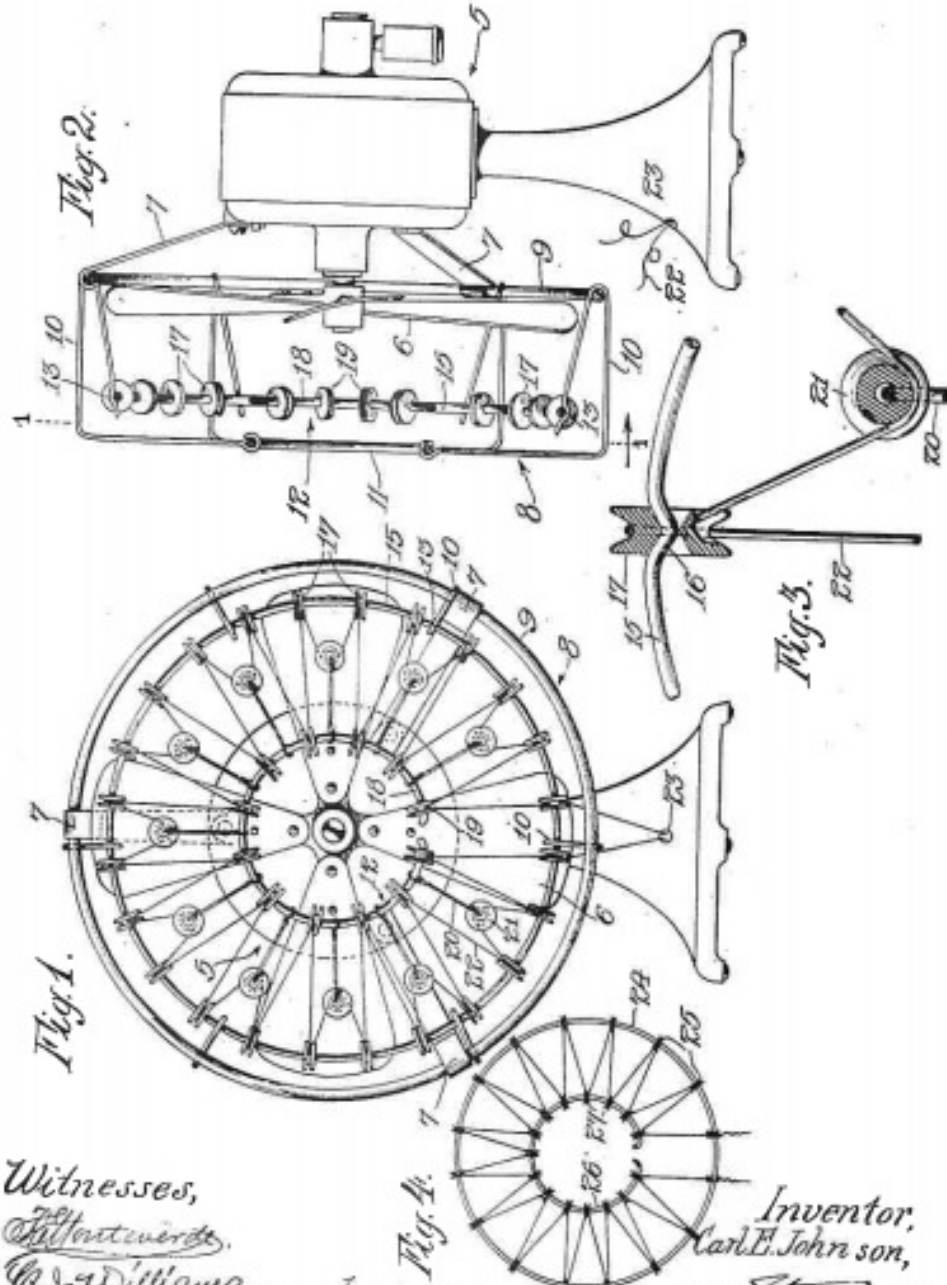


Witnesses

J. T. Walker.
A. C. Fischer.

Inventor
Anna I. D. Kyle

25 1/2
Erick, Freeman, Watson & Co.,
Attorneys



Witnesses,
Carl E. Johnson
C. J. Williams

Inventor,
Carl E. Johnson,
By *Harold Stauder*,
Attorneys.

No. 682,323.

Patented Sept. 10, 1901.

J. P. ERIE.

APPARATUS FOR AGITATING AND HEATING AIR.

(Application filed Sept. 21, 1900.)

(No Model.)

2 Sheets—Sheet 1.

Fig. 1

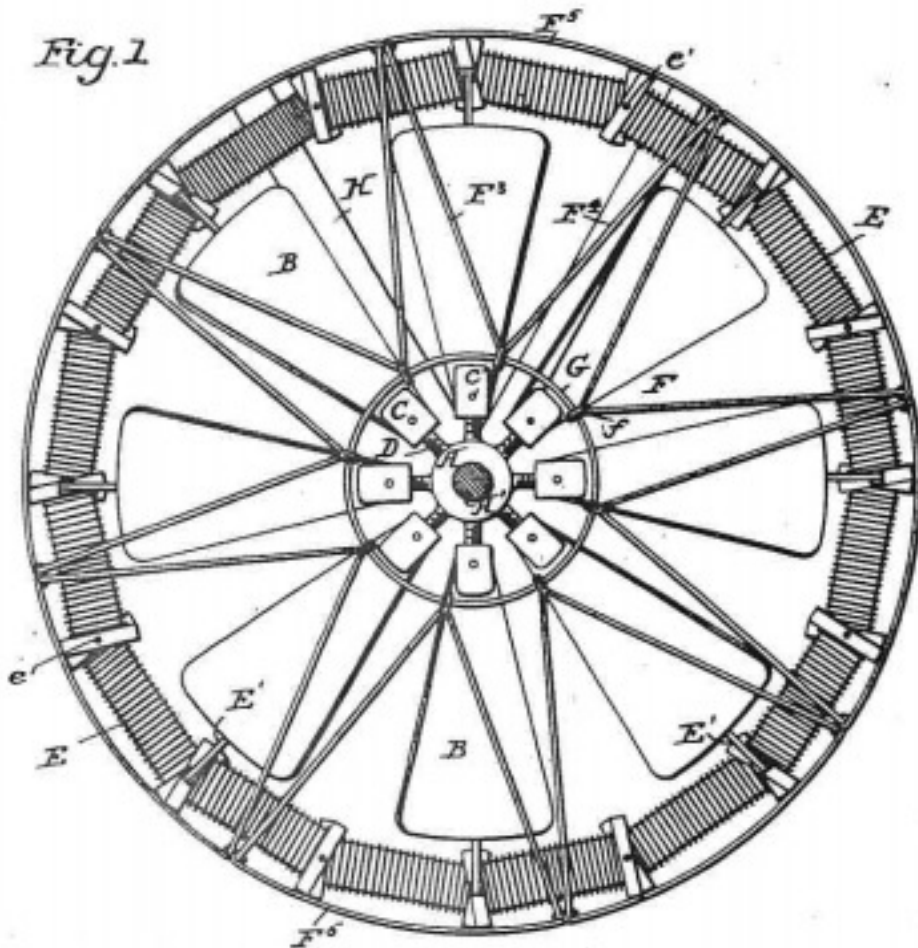
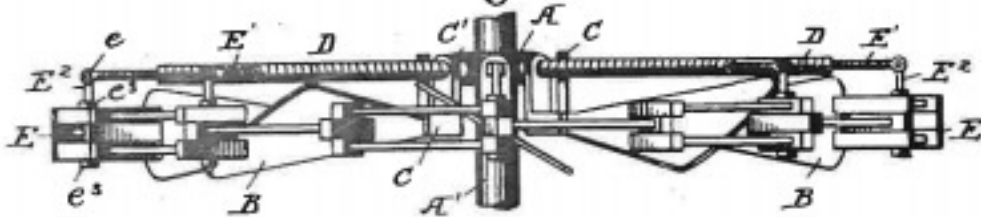


Fig. 2



Inventor

James Philip Erie

Witnesses

J. J. Hinkel
Wm. J. Williams

By *Lozier Freeman* Attorneys

J. G. GARNER.
 VENTILATING APPARATUS.
 APPLICATION FILED MAY 17, 1909.

975,851.

Patented Nov. 15, 1910.

2 SHEETS—SHEET 1.

Fig. 1.

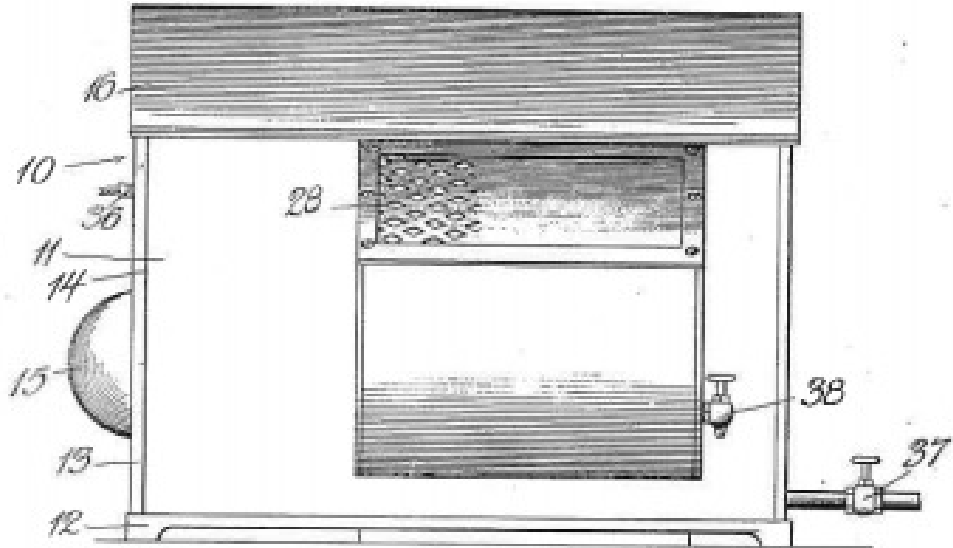
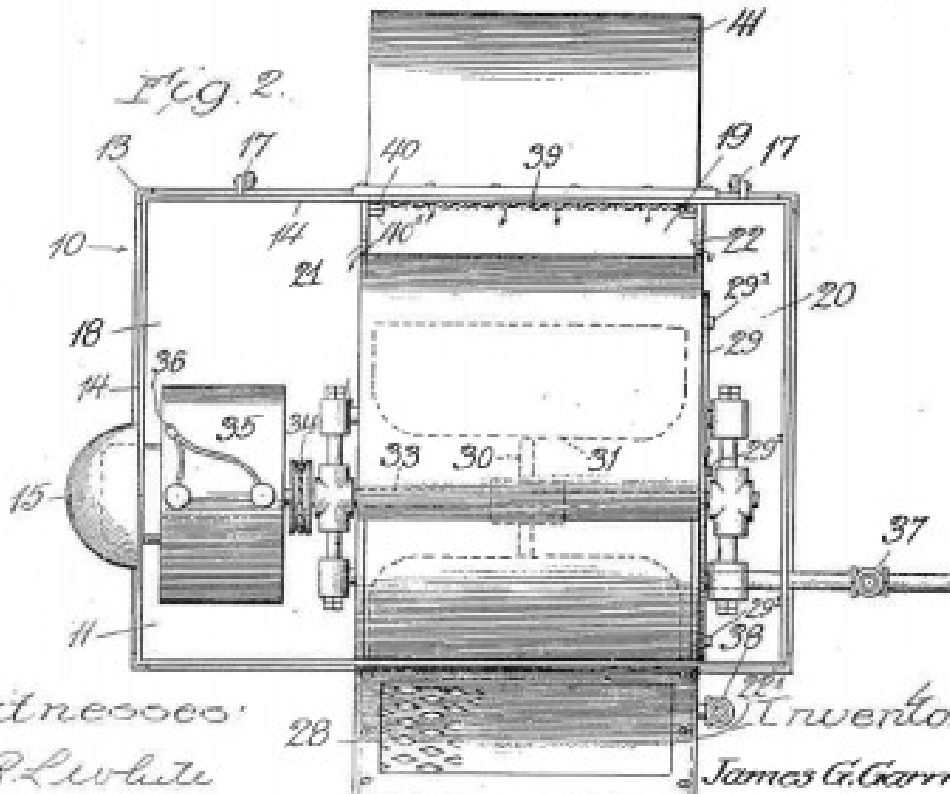


Fig. 2.



Witnesses:
 H. P. White
 R. A. White.

28
 Inventor:
 James G. Garner

By *George B. Rainey* May 1910

F. P. MIES & J. J. MCGERRY.
ELECTRIC HEATER.
APPLICATION FILED JAN. 25, 1910.

997,465.

Patented July 11, 1911.

2 SHEETS-SHEET 1.

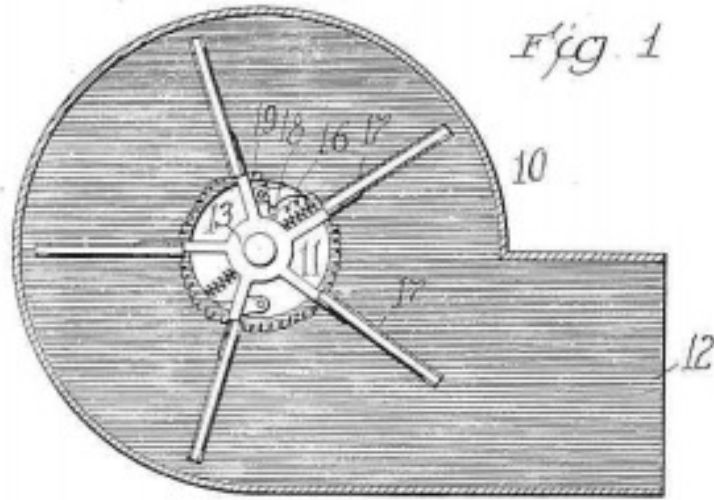
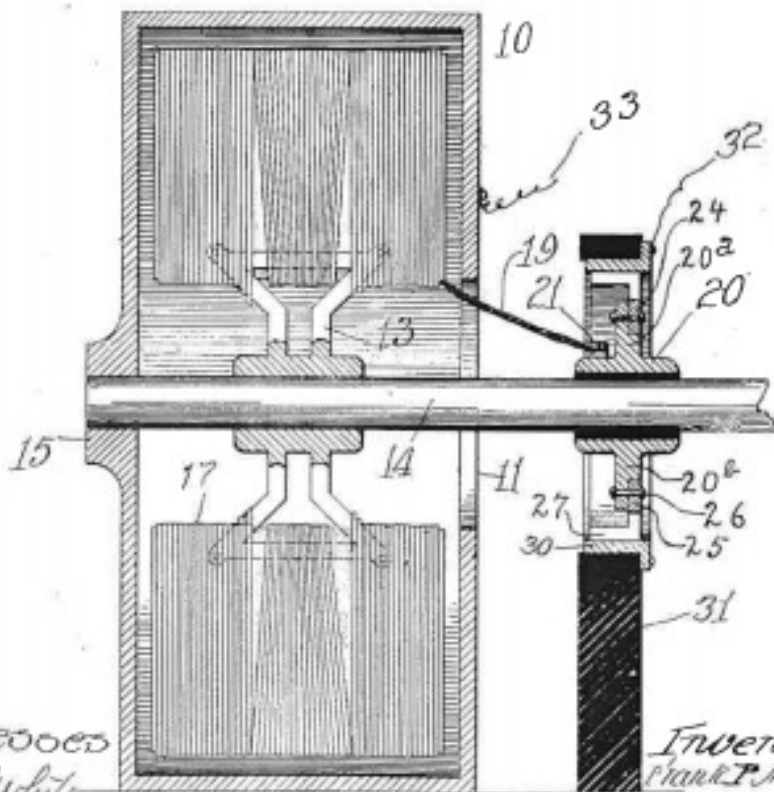


Fig. 2



Witnesses
H. R. White
R. A. White

Inventors
Frank P. Mies,
James J. McGerry,
By Forie Bann & Man Attys

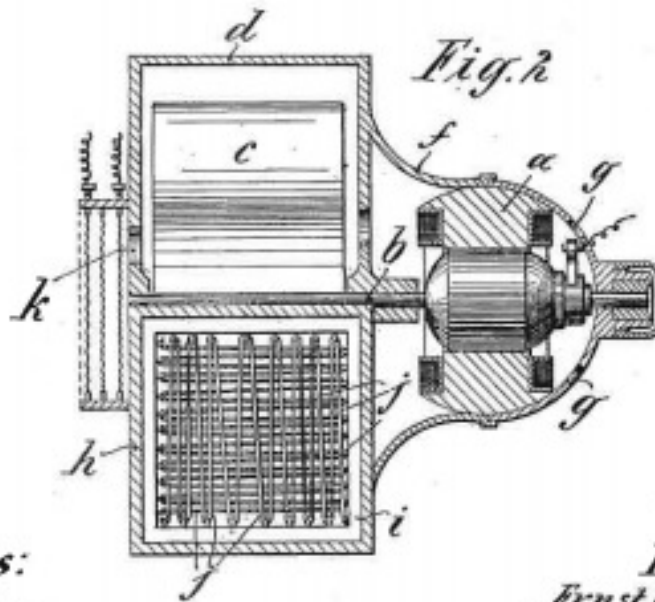
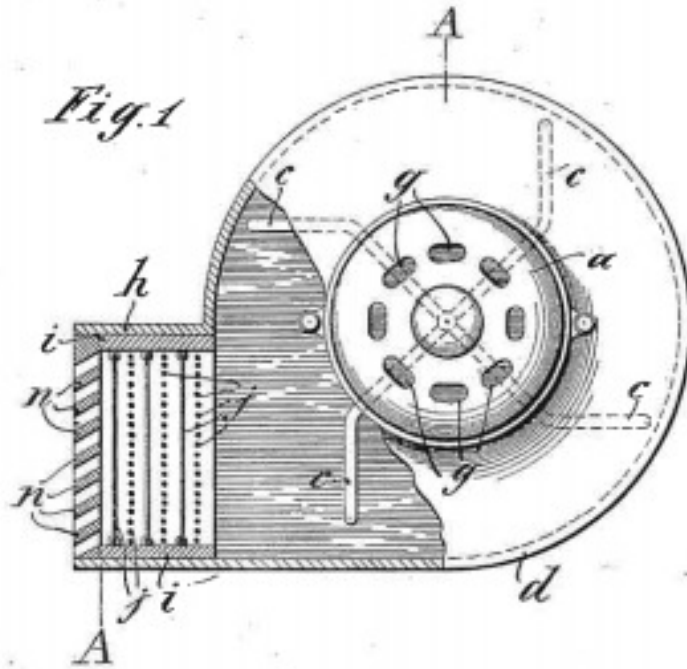
No. 758,303.

PATENTED APR. 26, 1904.

E. ECKMANN.
ELECTRIC HEATER.

APPLICATION FILED AUG. 16, 1902.

NO MODEL.



Witnesses:
Rich. Schuyler
Geor. Wolf

Inventor:
Ernst Eckmann
by *Carl R. Reichen*
Attorney

No. 783,057.

PATENTED FEB. 21, 1905.

T. MAHONEY.
ELECTRIC AIR DIFFUSING DEVICE.
APPLICATION FILED NOV. 26, 1904.

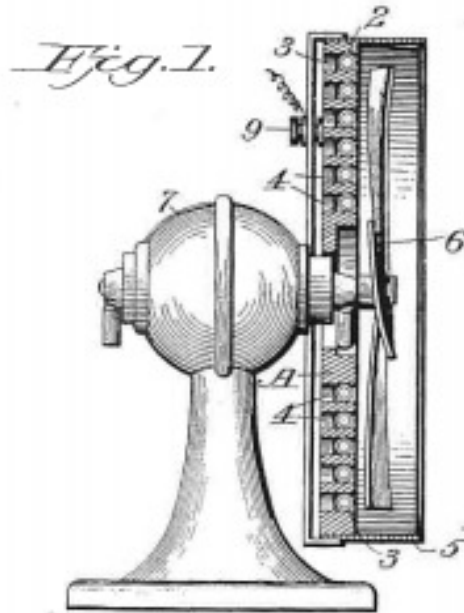
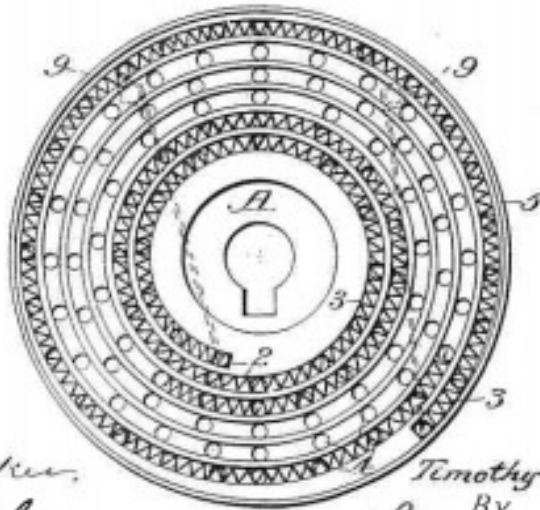


Fig. 2.



WITNESSES:

C. H. Walker
C. N. Fowler

INVENTOR

Timothy Mahoney
BY
Geo. H. Strong
his Attorney